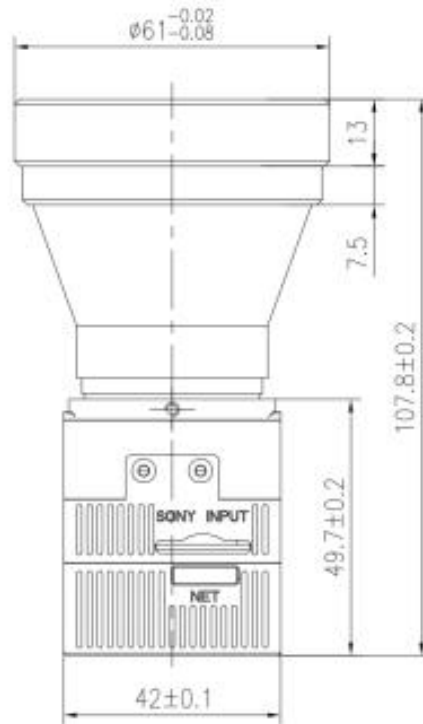
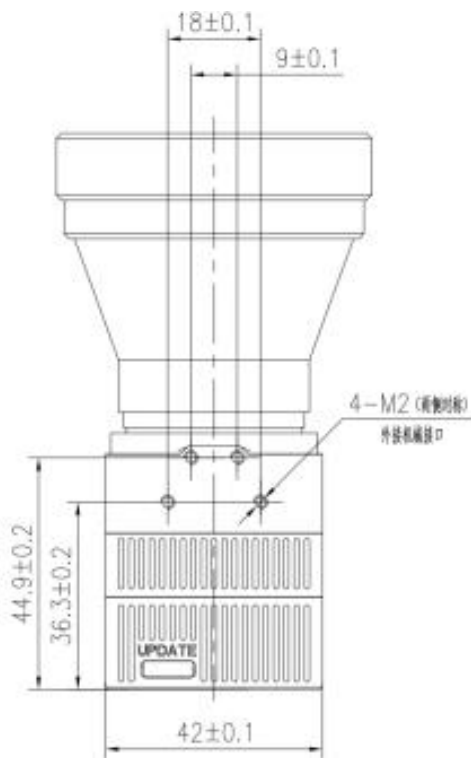
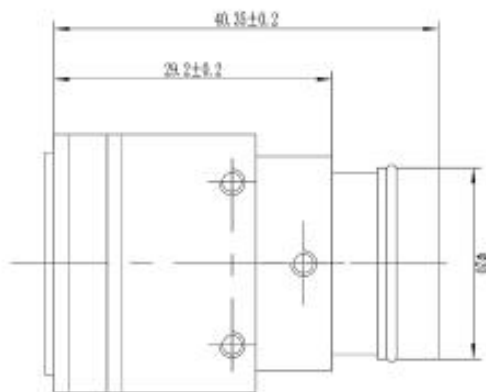
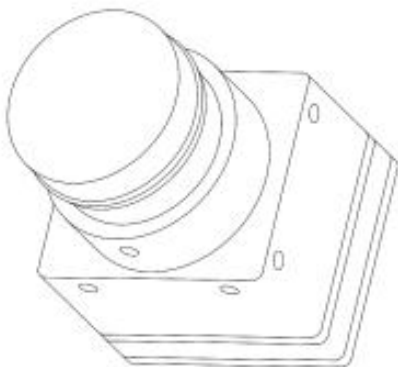
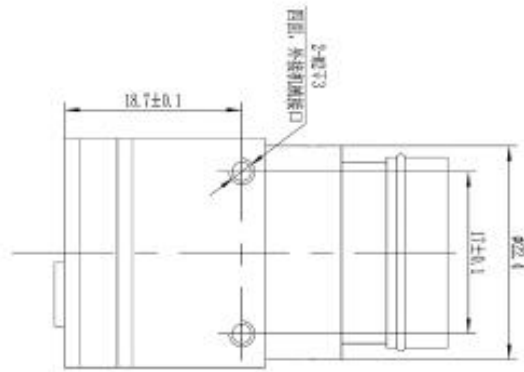
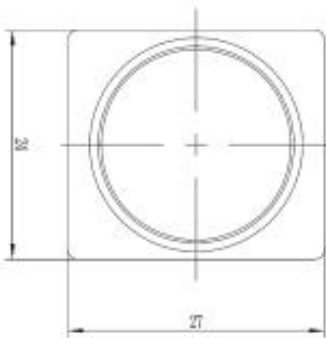


Product highlights:

1. Integrated Video Tracking
2. High image quality and scene adaptability
3. No shutter (NUC) technology
4. On-line temperature measurement, false color display
5. Support for external input video (picture-in-picture)
6. OSD interface display
7. Custom character overlays
8. Rich communication interfaces
9. Small size, low power consumption
10. The two fields of view switch quickly

Dimensions



Parameters

| MODEL | | SV2K-DE |
|--------------------------|-------------------------|---|
| Imaging index | Working format | Un-cooled 8 μ m~14 μ m |
| | Resolution | 640 \times 512 |
| | Size of pixel | 12 μ m |
| | Emissivity correction | Emissivity 0.01~1 adjustable |
| | NETD | \leq 50mK (@25 $^{\circ}$ C) |
| | MRTD | \leq 550mK (under characteristic frequency) |
| | Color palette | Black hot/white hot/pseudo color |
| | Digital zoom | 2X, 3X, 4X |
| | Temperature measurement | Temperature bar with highest/lowest/center temperature spot |
| | Measurement range | 0 $^{\circ}$ C~120 $^{\circ}$ C |
| Tracking index | Data refresh rate | 25Hz (IR) / as Sony core (visible light) |
| | Tracking velocity | \pm 32 pixels / frame |
| | Target size | 16x16 ~ 128x128 pixels |
| Environmental adaptation | Working temperature | -40 $^{\circ}$ C ~ 60 $^{\circ}$ C |
| | Storage temperature | -40 $^{\circ}$ C ~ 65 $^{\circ}$ C |
| Electrical interface | Communication interface | TTL |
| | Video Input | LVDS |
| | Video Output | LVDS+Net |
| | Video storage | The SD card stores JPEG images/h. 264, H265, and MP4 Video (32 gigabytes from the factory, up to 128 gigabytes) |
| | Power input | DC 12V |
| Others | Weight | < 155g |
| | Lens | 13mm&52mm |
| | Power consumption | \leq 4.6W (@25 $^{\circ}$ C) |